

EDCON-COMPONENTS

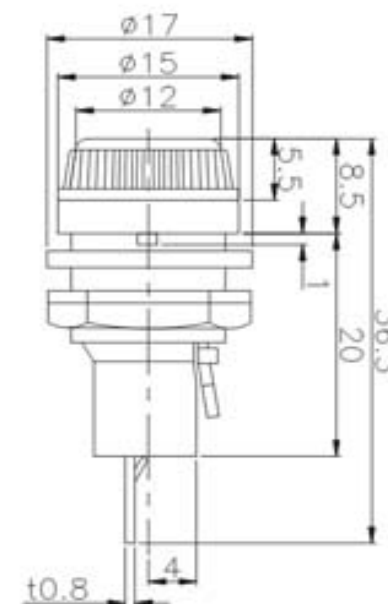


Technical Discription

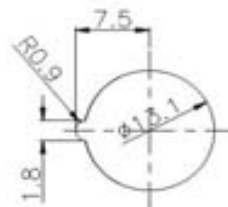
Drawing

EDCON-COMPONENTS Fuse Holders features for easy removal, clearly printed / imprinted "FUSE" for easy panel identification and keyed mounting hole requirement for anti rotation safety. All fuse holders include mounting washer and solder lugs for wiring.

Rated Current	10A / 250VAC
Insulation Resistance at 500VDC	>1000MΩ Min.
Contact Resistance	<5mΩ @ 1A DC
Dielectric Strength for 60seconds	>AC3000V / 60°
Material Contact:	CuZn37 + Ni+Sn
Terminal	Soldering Terminal
Material Body:	PC UL 94V0



Panel Layout



Approvals

UL, CSA

Panel Mount Fuse Holder for 5,2x20mm

Part No.: **R54025**

Customer:

DRW:	Jason	CHKD	Wilson	MATL:	Wilson	TOLERANCE	Mason	DATE	30.11.2012
APPD:	Schumi			FINISH	Jamy		Sheet No.		1 from 2

www.edcon-components.com

email: info@edcon-components.com

EDCON-COMPONENTS



Ordering Informations

Serie	Range	No function	ROHS	Packing						
-------	-------	-------------	------	---------	--	--	--	--	--	--

R54025	-	B	X	R	BU					
---------------	---	----------	----------	----------	-----------	--	--	--	--	--

B= 10A		R= ROHS Conform	BU= Bulk-Ware
			IV= Individual Package

Panel Mount Fuse Holder for 5,2x20mm
Part No.: R54025
Customer:

DRW:	Jason	CHKD	Wilson	MATL:	Wilson	TOLERANCE	Mason	DATE	30.11.2012
APPD:	Schumi			FINISH	Jamy		Sheet No.	2 from 2	